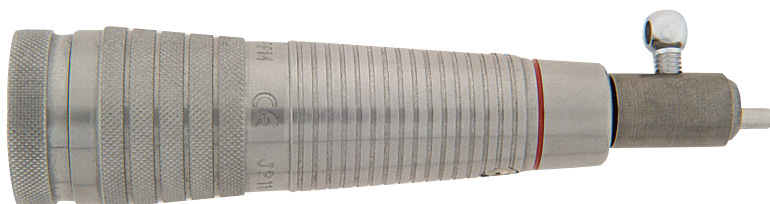


Instruction Manual

for

POWER  HAND[®] 3

Swing Head Assembly
For Model: SZX Profiler
#510-3309



Gesswein[®]

The Right Tools

Since 1914

Introduction

The Gesswein Power Hand 3 Side-to-Side is engineered and manufactured to a high degree of precision and will give you many years of trouble-free service. Backed by a limited warranty that covers wear parts for 90 days and overall balance of parts for six months.

This DC electrically driven rotary motor is designed to be used with the Power Hand 3 Controller (#510-3300). For use with Gesswein Power Hand 2X controllers, the PH3 adaptor (#510-3304) is necessary to connect the 5 prong motor plug to the 3 prong controller receptacle. Controllers convert the Alternating Current (AC) power supply to a variable Direct Current (DC) by means of an I.C. “transistorized” automatically controlled circuit.

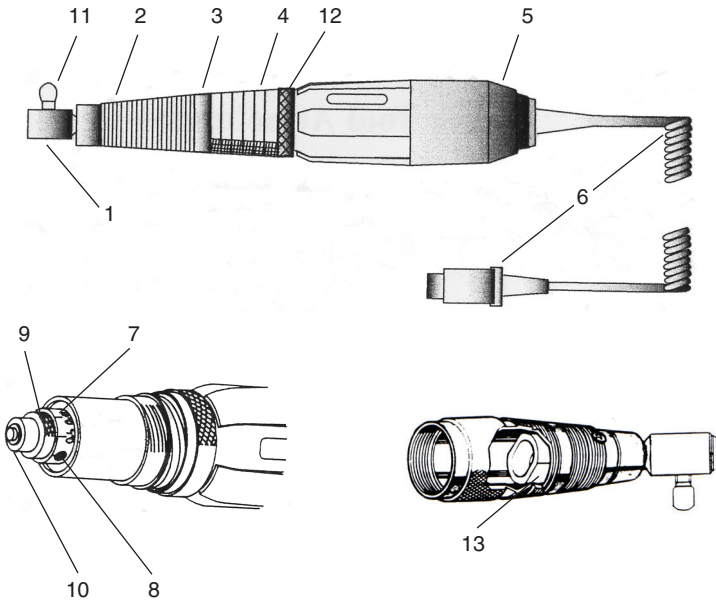
The Gesswein Power Hand 3 rotary motor series consists of six motors and eight head assemblies with maximum operating speeds ranging from 8,000 to 55,000rpm. The maximum RPM speed is indicated on each motor case housing.

To connect Power Hand 3 handpieces to Power Hand 2X controllers, use the PH3 Adaptor 5 to 3 prong reducer plug. #510-3304.



Parts Nomenclature

- 1. Swing Arm (Tool Holder)
- 2. Swing Arm Pivot Point (indicated by a red ring)
- 3. Top Cover
- 4. Knurled Ring
- 5. Motor Cover
- 6. Electric Cord with 3-Pin Plug
- 7. Main Eccentric Shaft
- 8. Stroke Adjustment Screw (Hex Socket Set Ring)
- 9. Knurled Adjusting Ring
- 10. Drive Bearing
- 11. Tool-Securing Screw
- 12. Motor Connecting Ring
- 13. Nylon Drive Shoe



Stroke Adjustment

The SZX Profiler has an adjustable stroke of 0-1.6mm, measured at the Tool Holder. However, the stroke will be greater at the tool end. To adjust stroke, first remove the Top Cover by firmly grasping the Knurled Ring (see fig. 2) and unscrewing in a counterclockwise direction. Completely remove the Top Cover from the handpiece motor. Next, loosen the Hex Socket Set Screw (see fig. 3) located on the side of the main eccentric shaft using the Allen Wrench provided. Now line up the mark on the Knurled Adjusting Ring with the stroke setting marked in millimeters on the side of the main shaft. Finally, tighten the Hex Socket Set Screw, and firmly secure the handpiece Top Cover to the motor by screwing in a clockwise direction.

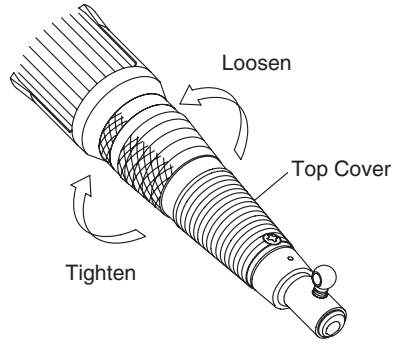


Fig. 2

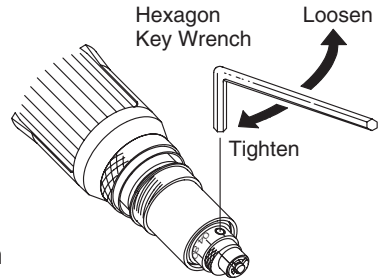


Fig. 3

Tool Attachment

Loosen the Tool-Securing Screw located on the Swing Arm (Tool Holder) using the Tool Pin Provided. Place the tool into the Tool Holder, and fasten securely (see fig. 4).

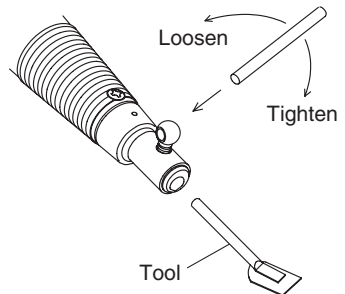
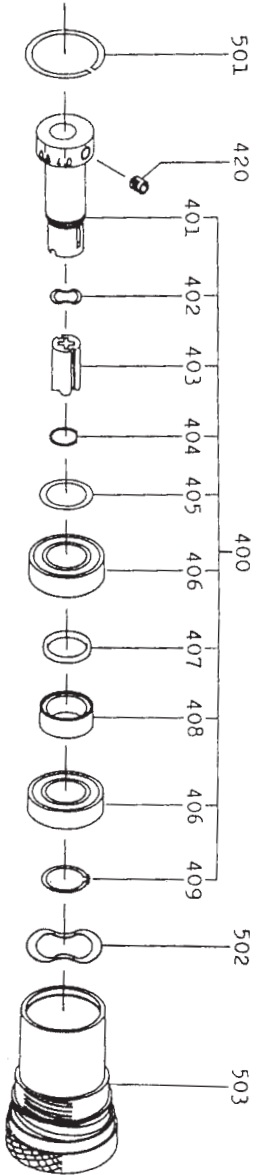
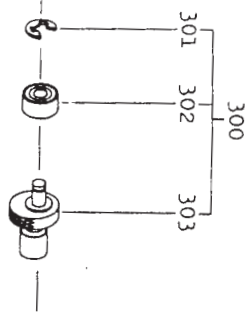
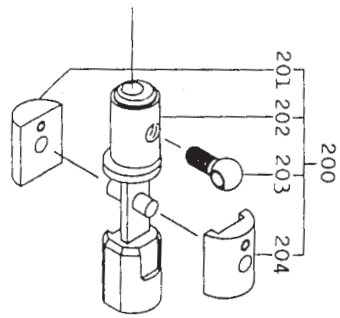
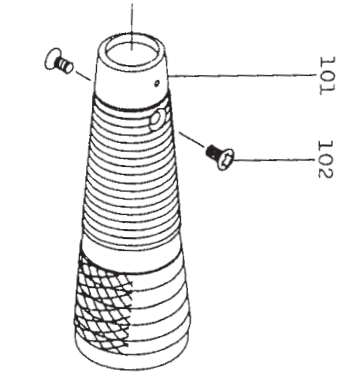


Fig. 4

Z-SWX Parts List

When ordering spare parts, always specify part#
(or item# if applicable) and description.

Part#	Item#	Description
101	8960230	Top Cover
102	8960231	Oval Countersunk Set Screw
200	8960232	Swing Arm Complete
201	8960233	Swing Arm Support B
202	8960234	Swing Arm
203	8960235	Tool-Securing Screw
204	8960236	Swing Arm Support A
300		Eccentric Shaft Complete
301	8960156	E-Type Clip Ring
302	5103076	Ball Bearing
303	8960238	Eccentric Shaft
400	8960241	Main Shaft Complete
401	8960242	Main Shaft
402	8960067	Coil Spring
403	5100151	Nylon Coupler (Joint)
404	8960068	C-Type Clip
405	8960243	Teflon Spacer
406	5103079	Ball Bearing
407	8960244	O-Type Rubber Ring
408	8960245	Bearing Spacer
409	8960246	C-Type Clip Ring
420	8960240	Hexagon Socket Set Screw
501	8960239	C-Type Clip Ring
502	8960247	Wave Washer
503	8960248	Lock Ring Completed
002	8960249	Hexagon Key Wrench





Power Hand 3 controllers and handpieces combine to create the most versatile finishing system in the industry, offering rotary, profiling and belt sanding action.

Power Hand 3 component selection:

- PH3 controller
- Six motors (three high torque, two standard, and one high speed)
- A selection of 8 heads
- Two reciprocating profilers
- One side-to-side profiler
- Belt Sander



201 Hancock Ave. Bridgeport, CT 06605, USA
orders **800.243.4466** | 203.366.5400 | fax 203.366.3953
email info@gesswein.com | www.gesswein.com